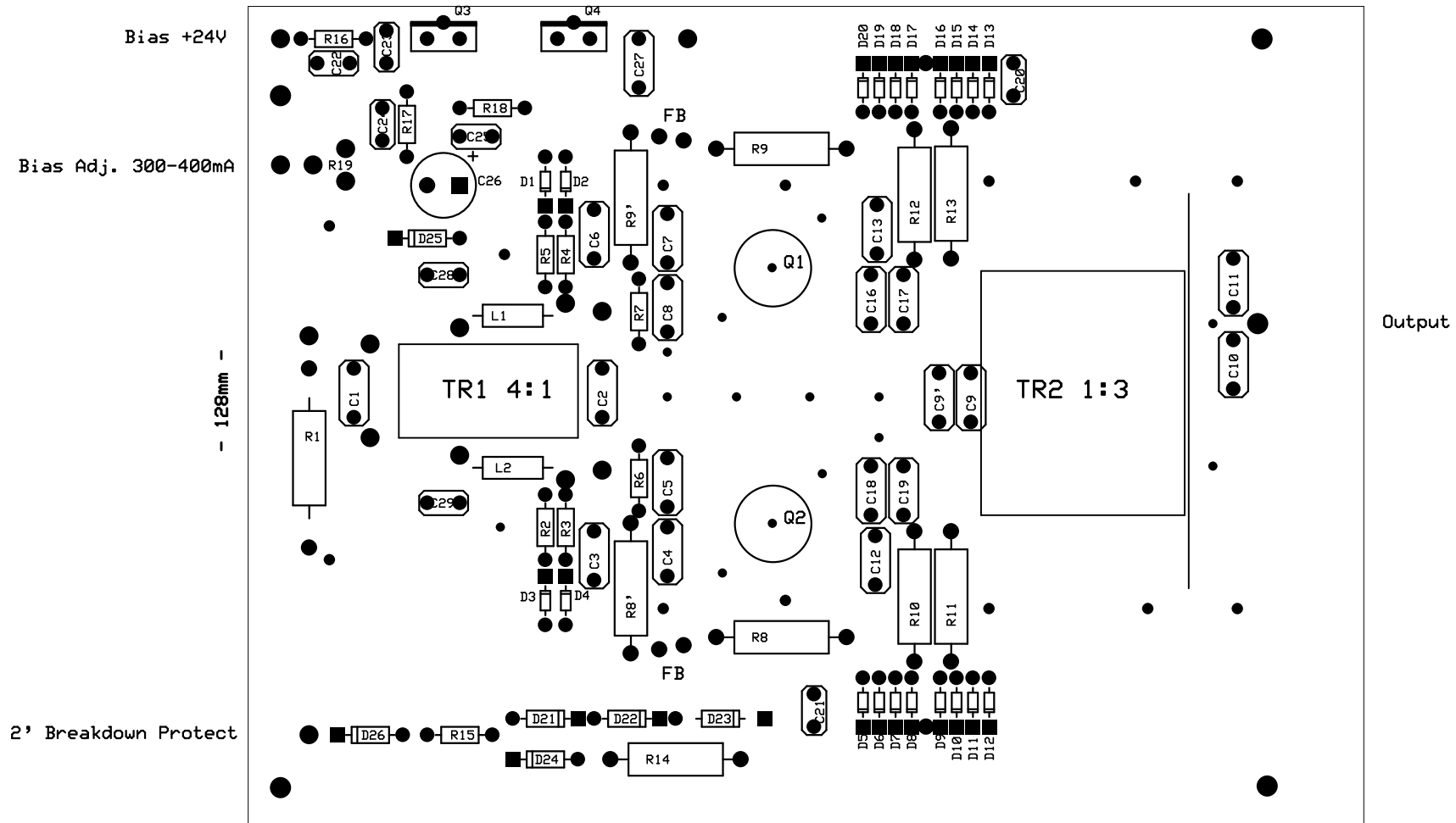


PA Module

- 174mm -

Bias + from 70 Ohm



Bias +24V

Bias Adj. 300-400mA

- 128mm -

2' Breakdown Protect

Output