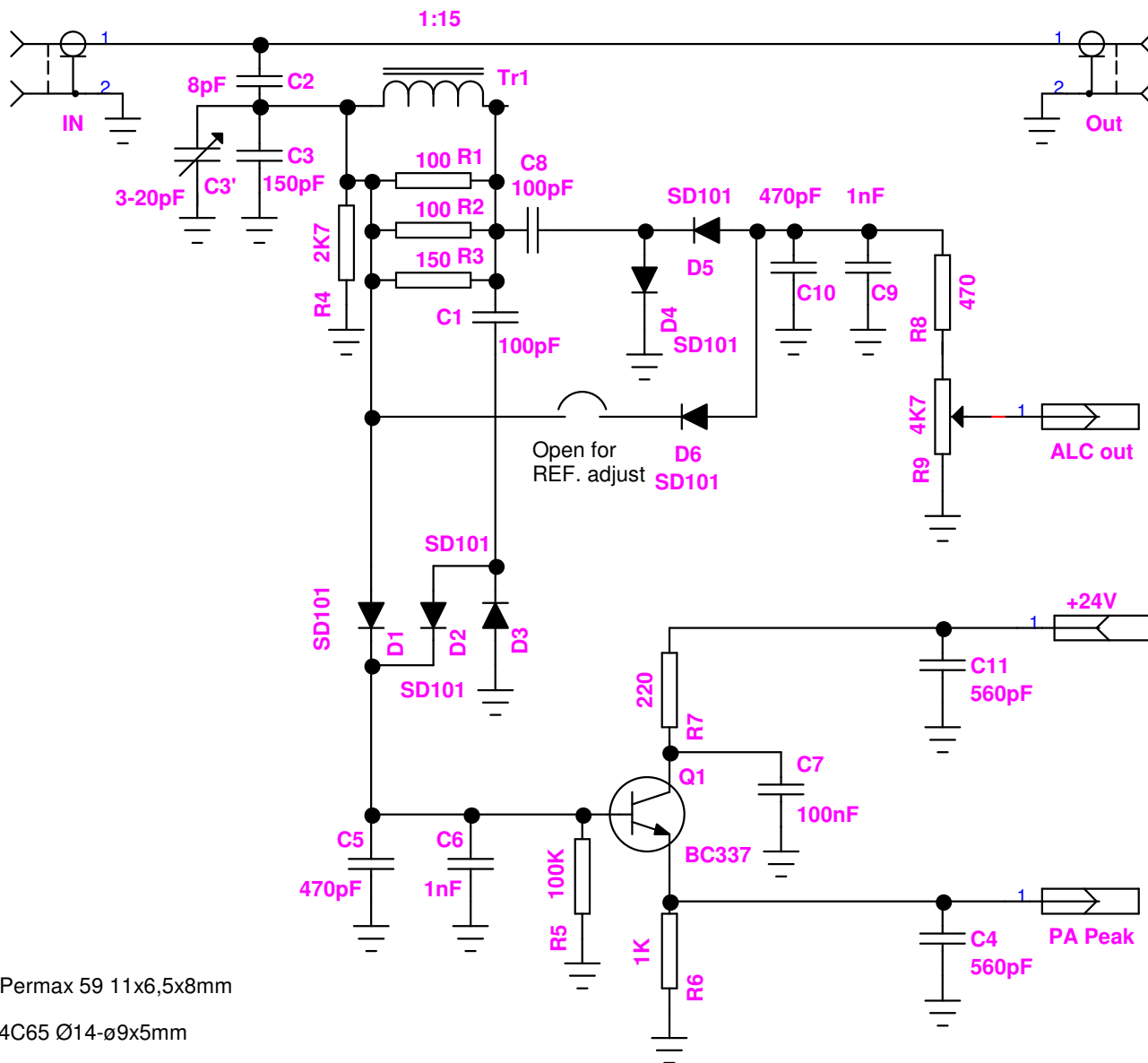


600Watt 50MHz Dual PA

SWR Bridge



Tr1 = Ferroperm Permax 59 11x6,5x8mm

Or Phillips 4C65 Ø14-ø9x5mm

Cul = 0.25