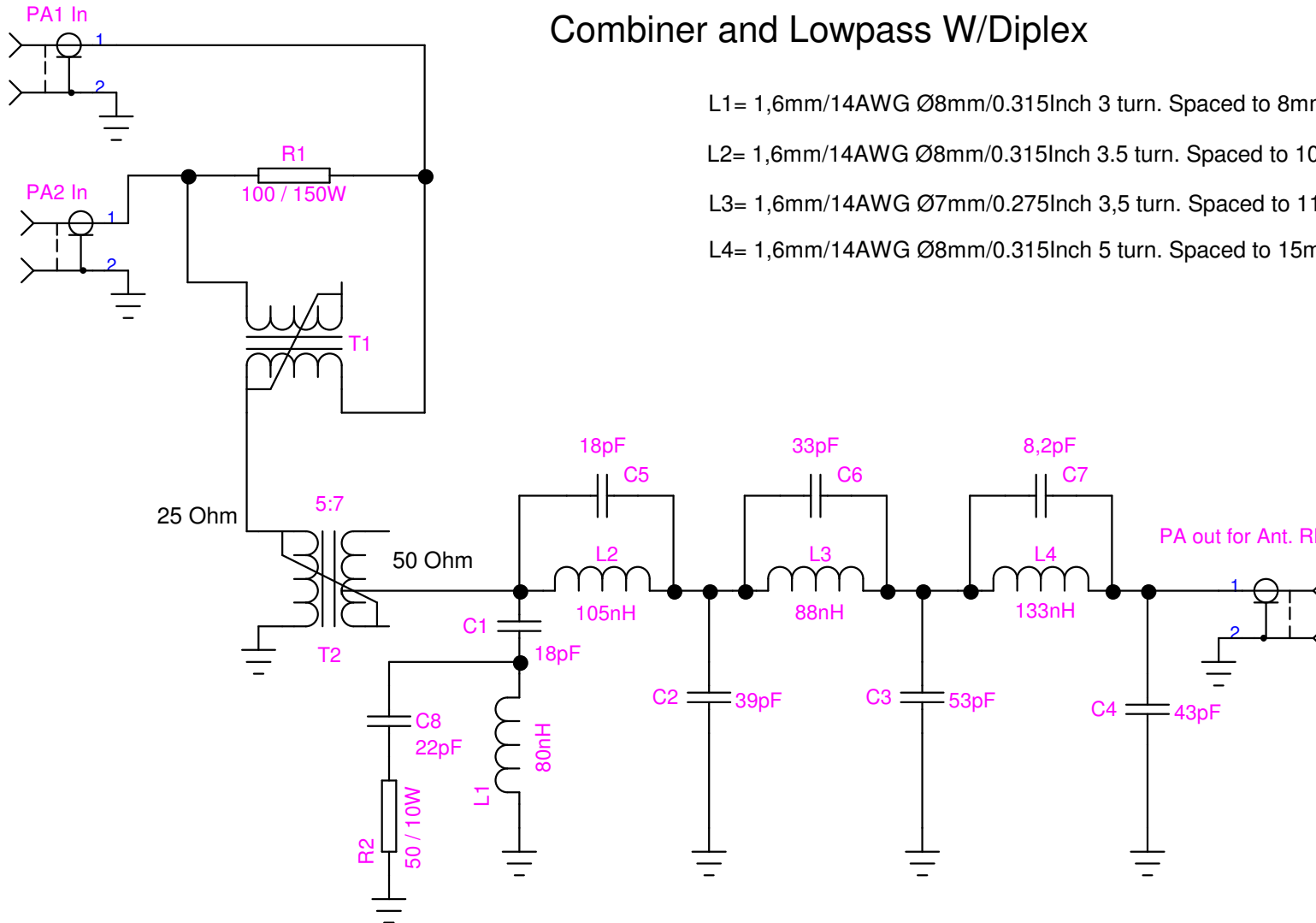


# 600Watt 50MHz Dual PA

## Combiner and Lowpass W/Diplex



L1= 1,6mm/14AWG Ø8mm/0.315Inch 3 turn. Spaced to 8mm/0,315Inch

L2= 1,6mm/14AWG Ø8mm/0.315Inch 3.5 turn. Spaced to 10mm/0,394Inch

L3= 1,6mm/14AWG Ø7mm/0.275Inch 3,5 turn. Spaced to 11mm/0,433Inch

L4= 1,6mm/14AWG Ø8mm/0.315Inch 5 turn. Spaced to 15mm/0,591Inch

T1: 2x2 Ferroperm permax 56(ur 100)/Phillips 4C65. 4turns 50 ohm Coax RG316. Primary: conductor. Secudary: shield.  
Ferroperm ferrit Core: Ø20,3-Ø6,6x15mm

T2: Ferroperm permax 56/2x4 Phillips 4C65 (ur 100). Autotransformer. 5:7 Coax 50 ohm RG316. 5 turn conductor. 7 turn shield.  
Phillips ferrit Core: Ø23-ø14x7mm