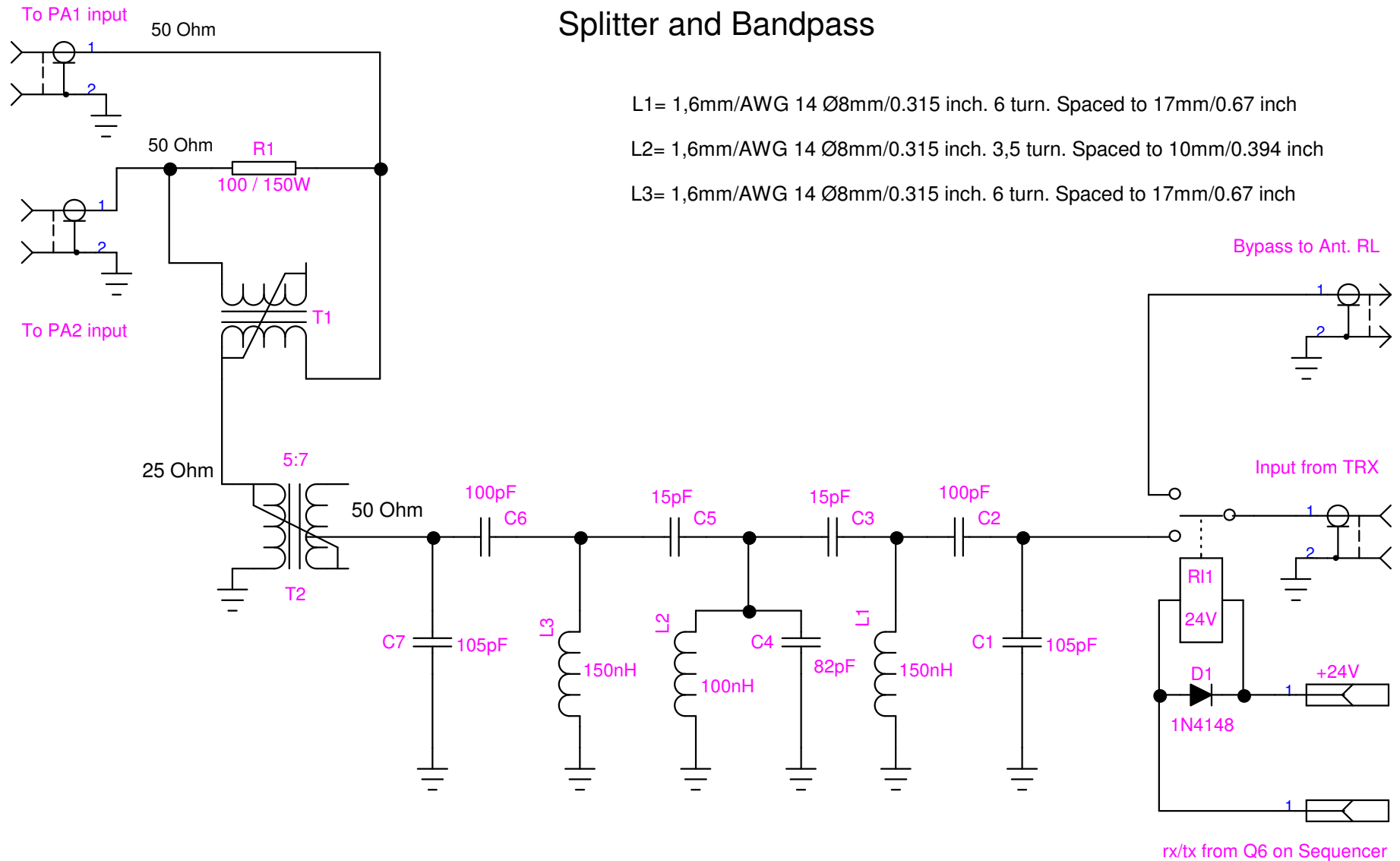


600Watt 50MHz Dual PA

Splitter and Bandpass



L1= 1,6mm/AWG 14 Ø8mm/0.315 inch. 6 turn. Spaced to 17mm/0.67 inch

L2= 1,6mm/AWG 14 Ø8mm/0.315 inch. 3,5 turn. Spaced to 10mm/0.394 inch

L3= 1,6mm/AWG 14 Ø8mm/0.315 inch. 6 turn. Spaced to 17mm/0.67 inch

T1: 2x2 Ferroperm permax 56(Ur 100)/Phillips 4C65. 4turns 50 ohm Coax RG316. Primary: conductor. Secudary: shield.
Ferroperm ferrit Core: Ø20,3-ø6,6x15mm

T2: Ferroperm permax 56/2x6 Phillips 4C65 (ur 125). Autotransformer. 5:7 50 Ohm Coax RG316. 5 turn cunductor. 7 turn shield.
Phillips ferrit Core: Ø14-ø9x5mm